

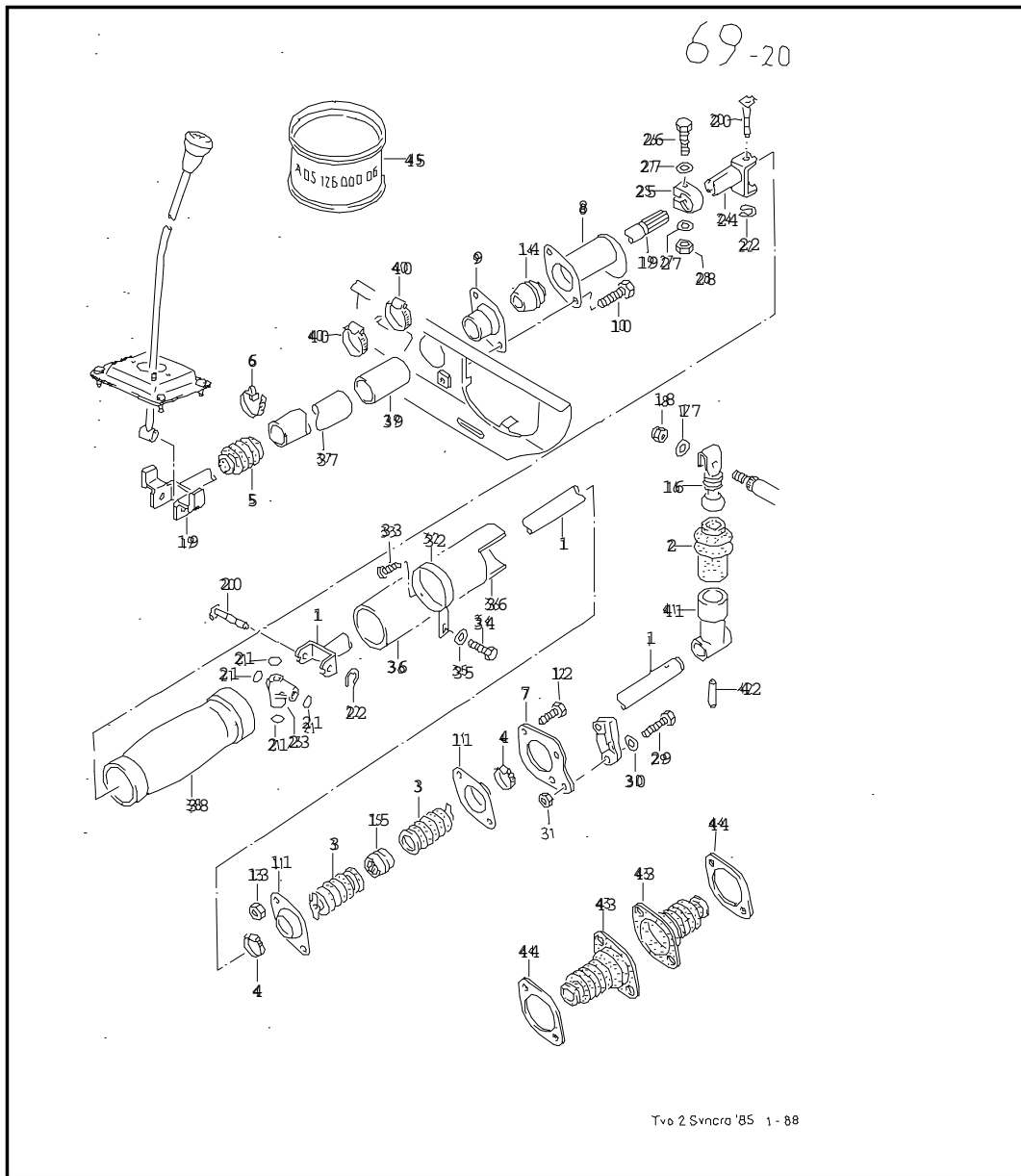




Model	Year	MG	SG	Illustration	Restrictions	Update	10:05	07.04.2008		ETKA	
T2SY	90	7	11	69-20		484					



Pos	Part Number	Name	Remarks	Qty	Model
		selector rods for shift mechanism			
(1)	251 711 155 AB	selector shaft	rear	1	
1	251 711 155 AA	selector shaft	rear	1	diesel eng.
2	251 711 167 E	bellows		1	
3	251 711 167 F	bellows F 24-H-119 912>>		2	
4	+ N 905 618 01	pipe clip F 24-H-119 912>>	AL16-28	2	
5	251 711 184 C	bellows		1	
6	+ N 020 902 2	cable tie	6X246	X	
7	251 711 187 B	plate		1	
8	251 711 191	flange		1	
9	251 711 192	flange		1	
10	+ N 010 239 11	hexagonal head bolt	M8X18	2	
11	251 711 198 D	flange		4	
12	+ N 010 293 5	hexagonal head bolt	M8X16	2	
(12)	+ N 010 242 22	hexagonal head bolt F >> 24-H-119 911	M8X25	2	
13	+ N 011 008 8	hexagonal nut	M8	2	
14	251 711 207 D	bush	front	1	
15	251 711 207 D	bush F >> 25-H-119 911	rear	1	
(15)	251 711 207 E	bush F 24-H-119 912>>	rear	1	
16	251 711 221 F	gearshift lever		1	
17	N 900 333 01	washer	B8,4X20X2,5	1	
18	+ N 022 146 4	hexagon nut, self-locking	VM8	1	
19	251 711 271 H	selector shaft	front	1	
20	251 711 291	pin		2	
21	N 900 899 01	seal	8X2,5N	4	
22	N 012 436 2	lock washer	6	2	

Model	Year	MG	SG	Illustration	Restrictions	Update	10:05	07.04.2008		ETKA	
T2SY	90	7	11	69-20		484					

Pos	Part Number	Name	Remarks	Qty	Model	Pos	Part Number	Name	Remarks	Qty	Model
23	251 711 551	universal joint		1							
24	251 711 575 B	selector shaft	center	1							
25	1J0 711 603	pipe clip		1							
26	+ N 010 340 4	hexagonal head bolt	M8X40	1							
27	+ N 011 525 20	washer	A8,4X16X1,6	2							
28	+ N 011 008 8	hexagonal nut	M8	1							
29	+ N 010 244 16	hexagonal head bolt	M8X30	2							
30	N 901 791 02	washer	8,2X18X3	2							
31	+ N 011 006 24	hexagonal nut	M6	2							
32	251 711 815 A	retainer		1							
33	+ N 013 965 5	oval head panel screw	B4,2X9,5	4							
34	+ N 010 212 26	hexagonal head bolt	M6X12	1							
35	+ N 011 524 23	washer	A6,4X12,5X1,6	1							
36	251 711 894	protective pipe		1							
37	251 711 894 A	protective pipe		1							
38	251 711 919	connecting part		1							
39	251 711 933	protective tube		1							
40	+ N 024 504 4	pipe clip	LC40-60	2							
41	251 711 973	selector lever		1							
(41)	251 711 973 A	selector lever		1	diesel eng.						
42	N 023 331 1	spring pin	6X32	1							
43	--- --- ---	discontinued / replacement:	251 711 167 F 251 711 207 E N 905 618 01	2 1 2							
44	--- --- ---	discontinued / replacement:	251 711 167 F 251 711 207 E N 906 661 01	2 1 2							
-	+ N 011 558 11	washer F	>> 24-H-119 911 8,4X15X1,6	2							
-	+ N 906 661 01	cable tie	4,5X200	X							
45	G 052 142 A2	poly lubricant	400G	X							
		- - - E N D - - -									